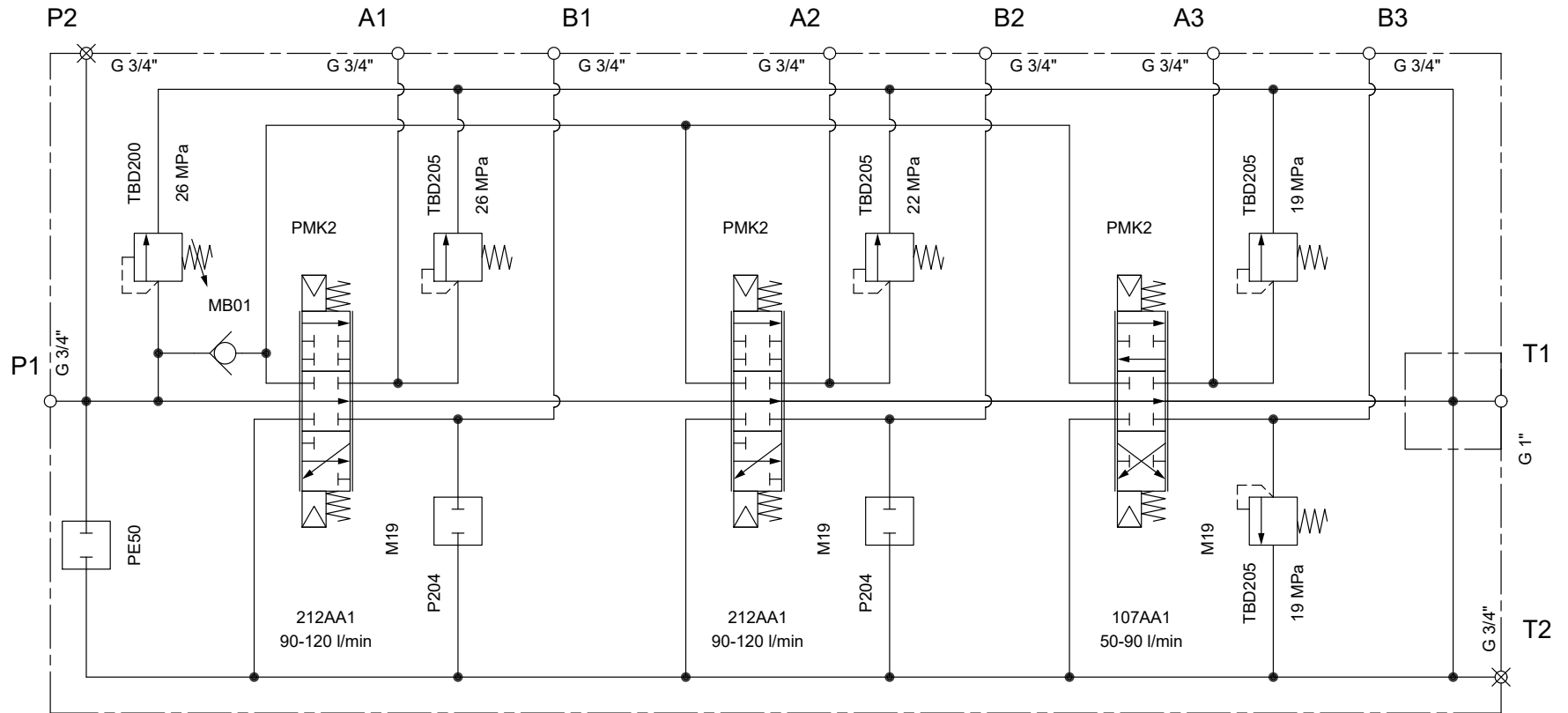



| Rev | Date | Drawn | Checked | Description |
|-----|------|-------|---------|-------------|
|-----|------|-------|---------|-------------|



| | | | | | |
|-------------------|---|--------|---|--|-------------------|
| Customer : | This document is confidential and may not be copied nor disclosed to a third party without written consent. | | | | |
| Date : 2025-12-02 | Drawn by : johol | |  AMAB Hydraul Bronsgjutaregatan 2 238 41 Malmö/Oxie +46 40 615 50 00 www.amabhydraul.se | | |
| Date : | Checked by : | | | | |
| Material : | Weight : | | | | |
| Paper Size : A4 | Page : 1 | Status | Project number | | Drawing Number |
| Scale : | Pages : 1 | | | | 8773110000 Schema |